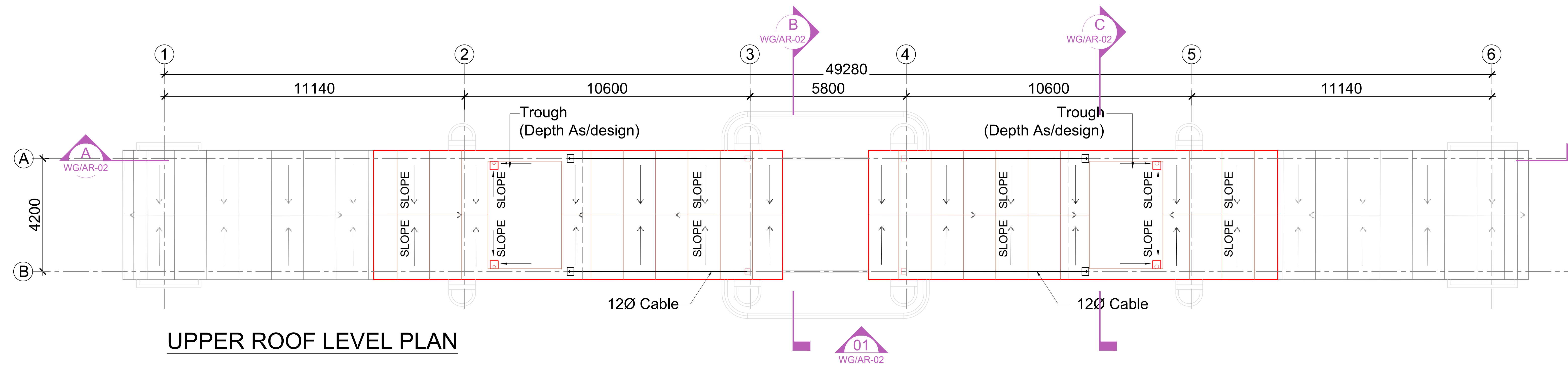
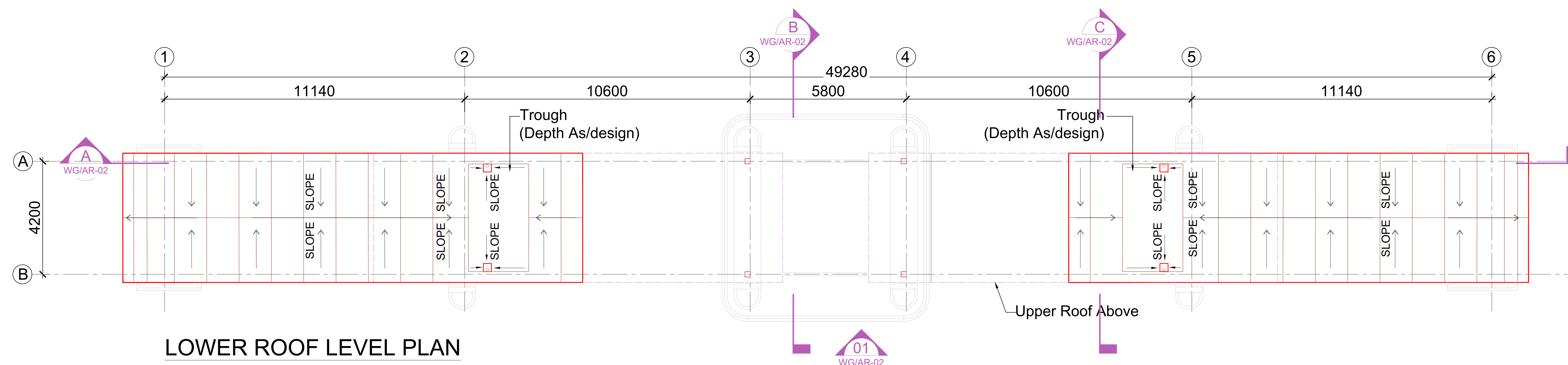


LAYOUT PLAN



UPPER ROOF LEVEL PLAN




LOWER ROOF LEVEL PLAN

KEY PLAN :-

- NOTES:-
- 1 ALL DIMENSION IN MILLIMETERS.
 - 2 DIMENSIONS ARE TO BE READ AND NOT MEASURED.
 - 3 DRAWING IS TO BE READ IN CONJUNCTION WITH RELEVANT STR./SERVICES DRAWING.
 - 4 ANY DISCREPANCY IN DRAWING IS TO BE REPORTED TO ARISE DESIGN TEAM IMMEDIATELY.

Project Name WELCOME GATE

Project Company POINT NOIRE SEZ, ROC 

Design ARISE IIP 
A-702-707, Tower A, Digital Greens, Golf Course
 Extension, Gurugram, Haryana India.
 www.ariseip.com

Consultant - 1

Site Contractor

Drawing Title LAYOUT PLANS

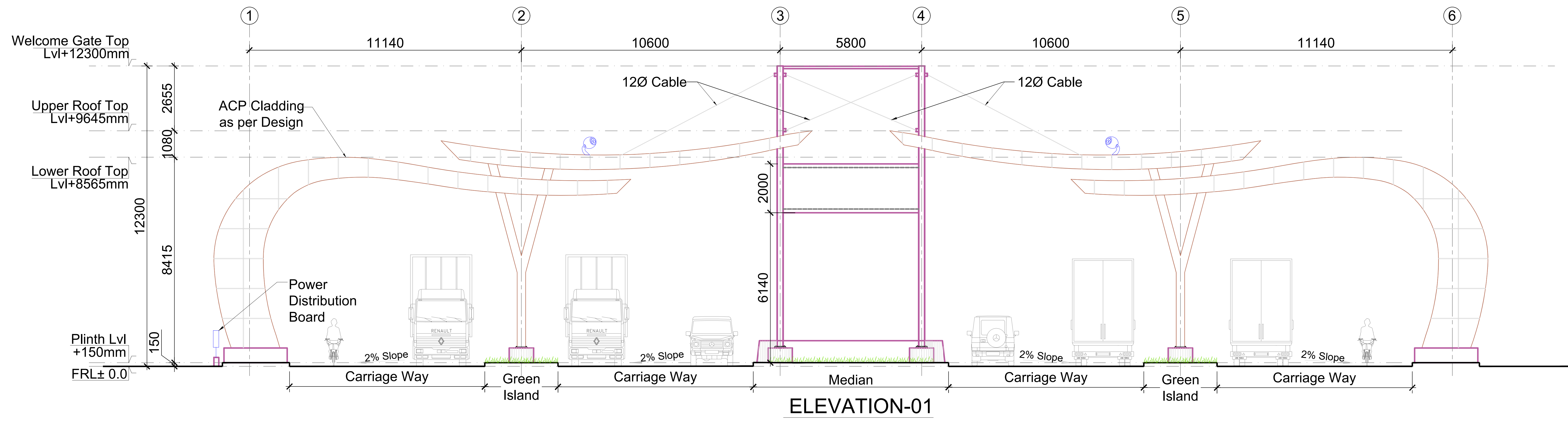
CONCEPT DESIGN	DESIGN DEVELOPMENT	TENDER DRAWING	FOR CONSTRUCTION	AS BUILT

Drawing Number ARISE IIP/PICP/PN/DD/WG/AR-01

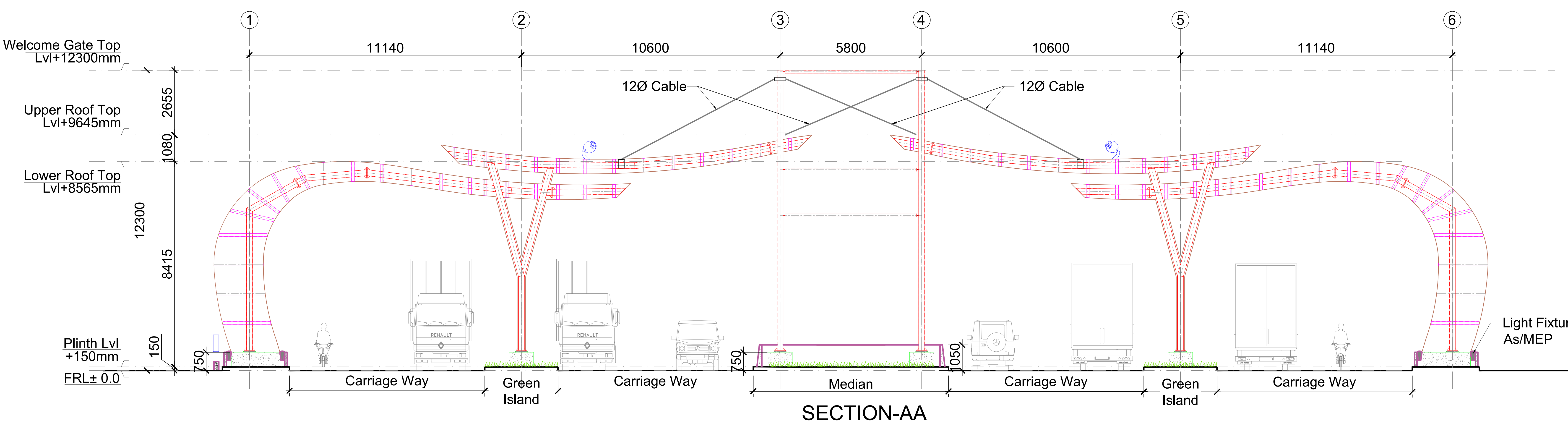
Number of Revisions 00 Drawing Scale 1:200

Date 18.07.2023 Sheet Size A3

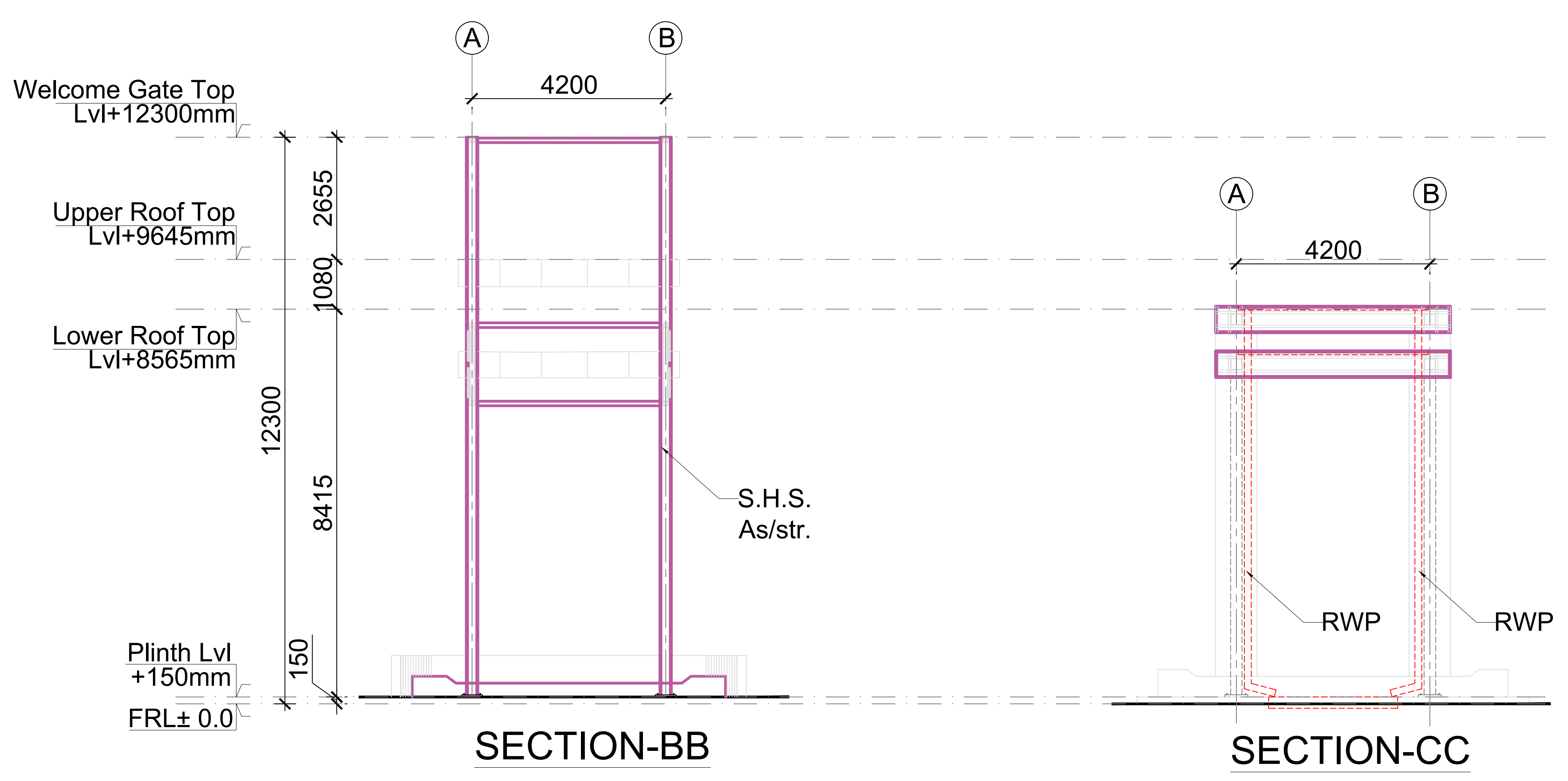
REVISION					
Rev.No.	DESCRIPTION	Designed By	Verified By	Approved By	Date



ELEVATION-01



SECTION-AA



SECTION-BB


SECTION-CC

KEY PLAN :-

- NOTES:-
- 1 ALL DIMENSION IN MILLIMETERS.
 - 2 DIMENSIONS ARE TO BE READ AND NOT MEASURED.
 - 3 DRAWING IS TO BE READ IN CONJUNCTION WITH RELEVANT STR./SERVICES DRAWING.
 - 4 ANY DISCREPANCY IN DRAWING IS TO BE REPORTED TO ARISE DESIGN TEAM IMMEDIATELY.

Project Name WELCOME GATE

Project Company POINT NOIRE SEZ, ROC 

Design ARISE IIP 
A-702-707, Tower A, Digital Greens, Golf Course
Extension, Gurugram, Haryana India.
www.ariseiip.com

Consultant - 1

Site Contractor

Drawing Title ELEVATION & SECTIONS

CONCEPT DESIGN	DESIGN DEVELOPMENT	TENDER DRAWING	FOR CONSTRUCTION	AS BUILT

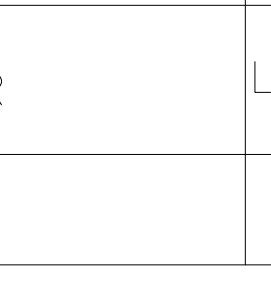

Drawing Number ARISE IIP/PICP/PN/DD/WG/AR-02

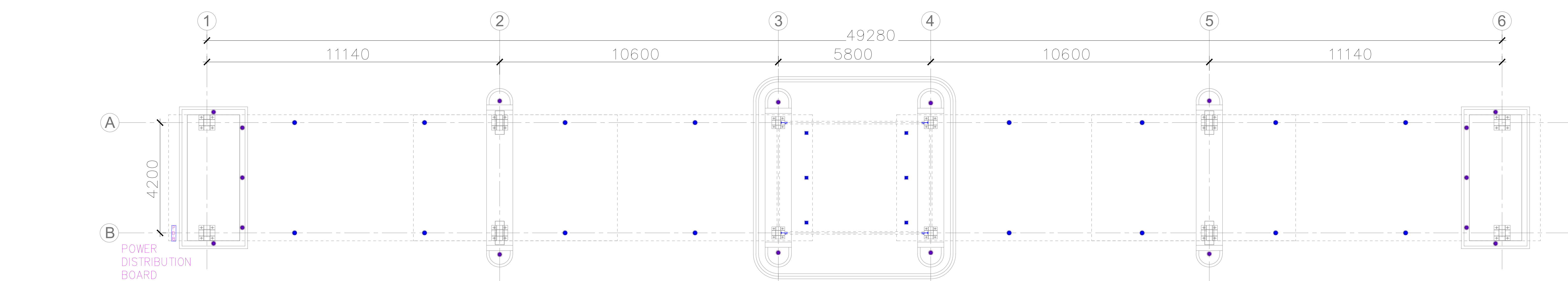
Number of Revisions 00 Drawing Scale 1:200

Date 18.07.2023 Sheet Size A3

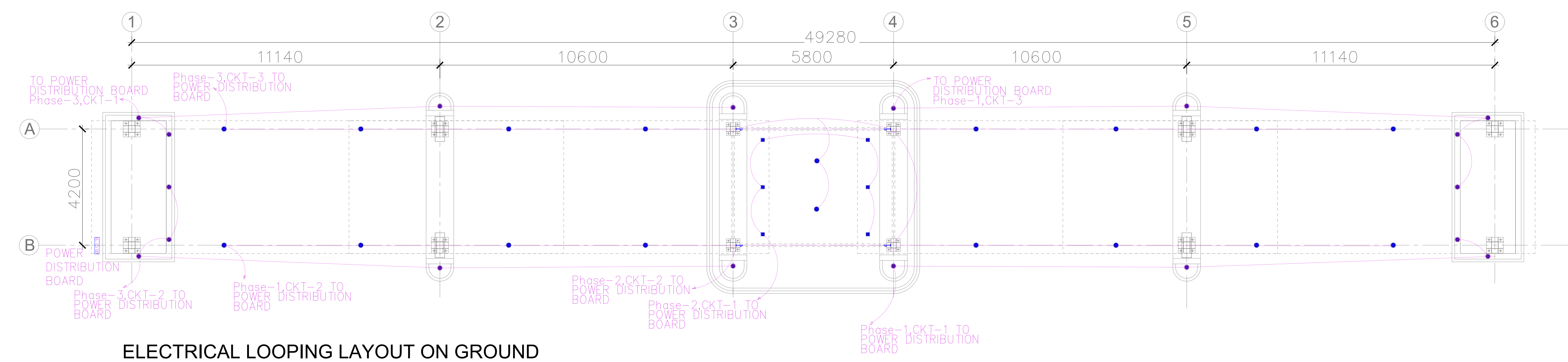
REVISION					
Rev.No.	DESCRIPTION	Designed By	Verified By	Approved By	Date

NOTES:-
 1 ALL DIMENSION IN MILLIMETERS.
 2 DIMENSIONS ARE TO BE READ AND NOT MEASURED.
 3 DRAWING IS TO BE READ IN CONJUNCTION WITH RELEVANT STR./SERVICES DRAWING.
 4 ANY DISCREPANCY IN DRAWING IS TO BE REPORTED TO ARISE DESIGN TEAM IMMEDIATELY.

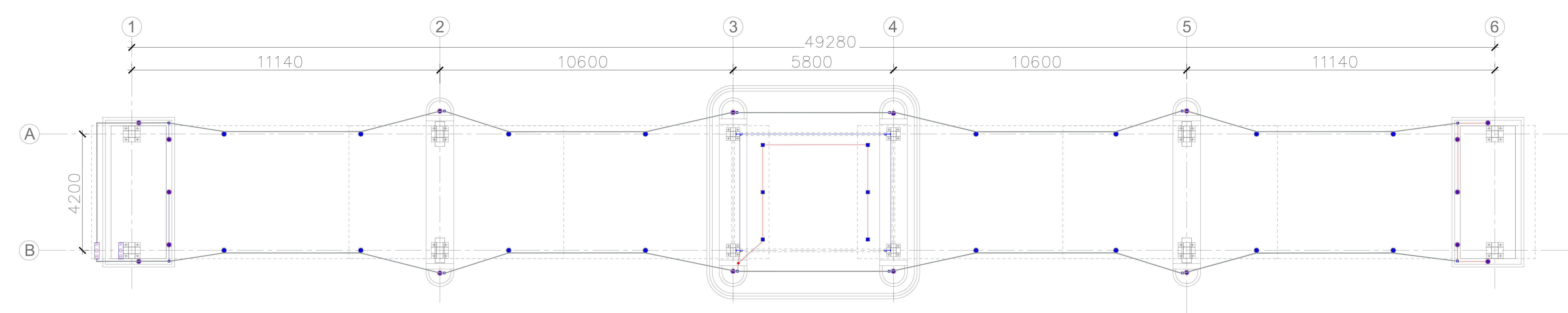
Project Name	WELCOME GATE				
Project Company	POINT NOIRE SEZ, ROC				
Design	ARISE IIP				
Consultant - 1	A-702-707, Tower A, Digital Greens, Golf Course Extension, Gurugram, Haryana India. www.ariseiip.com				
Site Contractor					
Drawing Title	ELECTRICAL PLAN				
CONCEPT DESIGN	DESIGN DEVELOPMENT	TENDER DRAWING	FOR CONSTRUCTION	AS BUILT	
Drawing Number	ARISE IIP/PICP/PN/DD/WG/EL-01				
Number of Revisions	00	Drawing Scale	1:200		
Date	18.07.2023	Sheet Size	A3		
REVISION					
Rev.No.	DESCRIPTION	Designed By	Verified By	Approved By	Date



ELECTRICAL FIXTURE LAYOUT ON GROUND













ELECTRICAL LOOPING LAYOUT ON GROUND

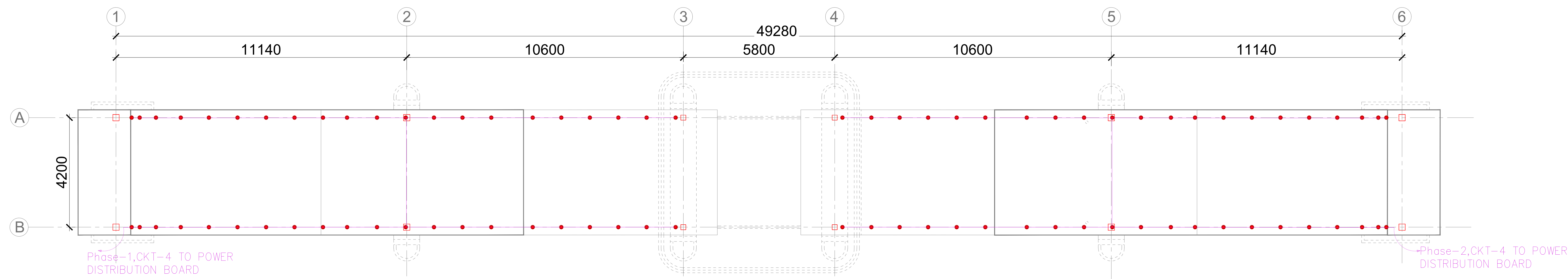
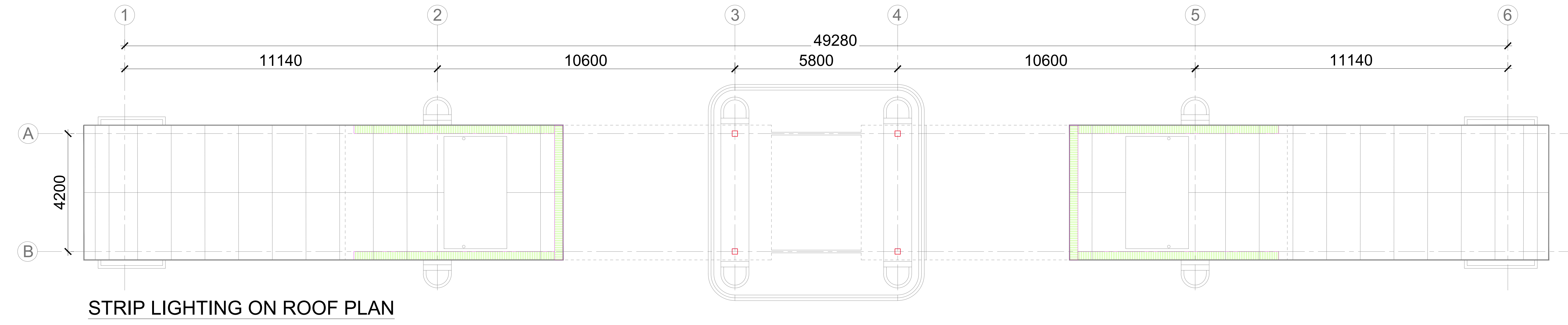
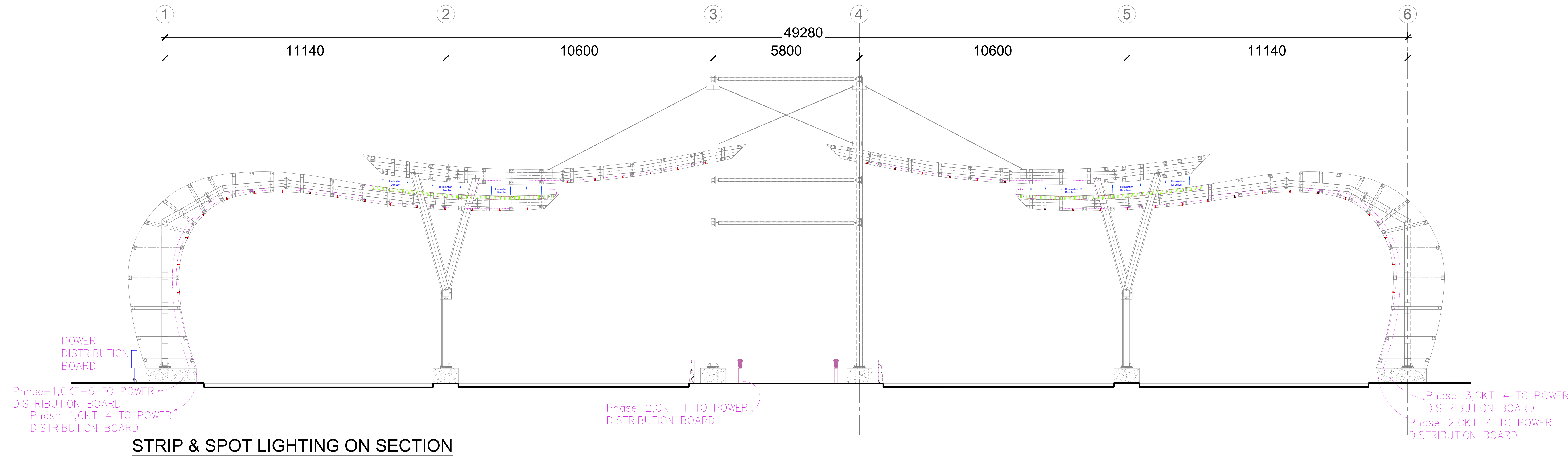


ELECTRICAL CONDUITING LAYOUT ON GROUND

LEGEND

S.NO	SYMBOL	DESCRIPTION	MAKE	IP NO.	NFC
1		LED UPLIGHTERS WASHING THE GATE AT GROUND LEVEL SCHREDER CAT NO.TERRA MIDI LED	KESELEC SCHREDER	(IP-68)	15-100
2		LED UPLIGHTERS WASHING THE GATE AT FLOATING ROOF SCHREDER CAT NO. ENYO	KESELEC SCHREDER	(IP-67)	15-100
3		LED BOLLARD LIGHTING SCHREDER CAT NO. CITRINE	KESELEC SCHREDER	(IP-66)	15-100
4		LED SPOT LIGHTING	KESELEC SCHREDER	(IP-66)	15-100
5		LED STRIP LIGHTING	LOCAL MAKE	(IP-66)	15-100
6		LED POST TOP LIGHTING SCHREDER Cat No. OYO	KESELEC SCHREDER	(IP-66)	15-100
7		POWER DISTRIBUTION BOARD (TOP OF 600 MM ABOVE G.L.)	LEGRAND, CAT NO.507726	(IP-54)	20-010
8		20 MM DIA PVC LIGHT CONDUIT WITH ALL ACCESSORIES	LOCAL MAKE	--	15-100
9		25 MM DIA PVC CONDUIT FOR POWER	LOCAL MAKE	--	15-100
10		Electrical wiring	--	--	--

KEY PLAN :-



Approx. Spacing between spot lights: 1100 mm

LEGEND

S.NO	SYMBOL	DESCRIPTION	MAKE	IP NO.	NFC
1		LED UPLIGHTERS WASHING THE GATE AT GROUND LEVEL SCHREDER CAT NO.TERRA MIDI LED	KESELEC SCHREDER	(IP-68)	15-100
2		LED UPLIGHTERS WASHING THE GATE AT FLOATING ROOF SCHREDER CAT NO. ENYO	KESELEC SCHREDER	(IP-67)	15-100
3		LED BOLLARD LIGHTING SCHREDER CAT NO. CITRINE	KESELEC SCHREDER	(IP-66)	15-100
4		LED SPOT LIGHTING	KESELEC SCHREDER	(IP-66)	15-100
5		LED STRIP LIGHTING	LOCAL MAKE	(IP-66)	15-100
6		LED POST TOP LIGHTING SCHREDER Cat No. OYO	KESELEC SCHREDER	(IP-66)	15-100
7		POWER DISTRIBUTION BOARD (TOP OF 600 MM ABOVE G.L.)	LEGRAND, CAT NO.507726	(IP-54)	20-010
8		20 MM DIA PVC LIGHT CONDUIT WITH ALL ACCESSORIES	LOCAL MAKE	--	15-100
9		25 MM DIA PVC CONDUIT FOR POWER	LOCAL MAKE	--	15-100
10		Electrical wiring	--	--	--

- NOTES:-
- 1 ALL DIMENSION IN MILLIMETERS.
 - 2 DIMENSIONS ARE TO BE READ AND NOT MEASURED.
 - 3 DRAWING IS TO BE READ IN CONJUNCTION WITH RELEVANT STR./SERVICES DRAWING.
 - 4 ANY DISCREPANCY IN DRAWING IS TO BE REPORTED TO ARISE DESIGN TEAM IMMEDIATELY.

Project Name **WELCOME GATE**

Project Company **POINT NOIRE SEZ, ROC**

Design **ARISE IIP**
A-702-707, Tower A, Digital Greens, Golf Course Extension, Gurugram, Haryana India. www.ariseiip.com

Consultant - 1

Site Contractor

Drawing Title **ELECTRICAL PLAN & SECTION**

CONCEPT DESIGN	DESIGN DEVELOPMENT	TENDER DRAWING	FOR CONSTRUCTION	AS BUILT

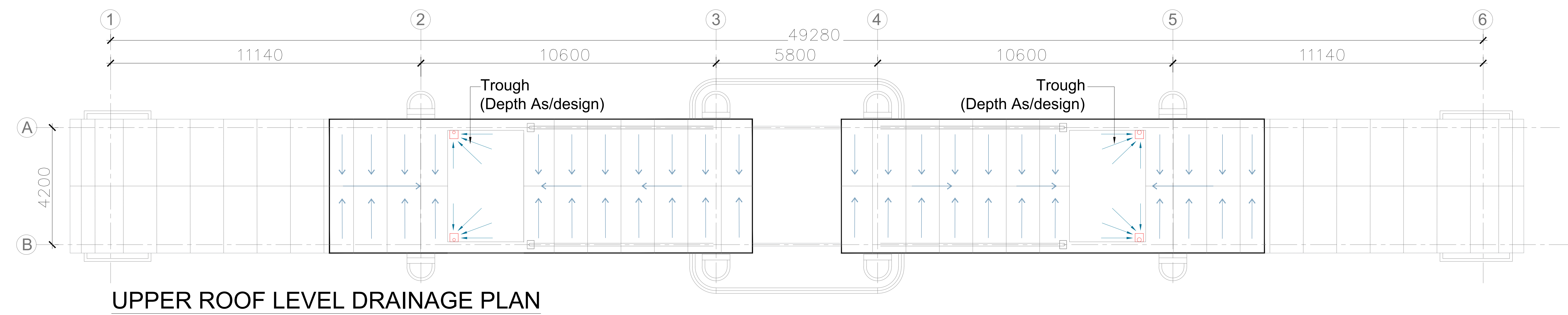
Drawing Number **ARISE IIP/PICP/PN/DD/WG/EL-02**

Number of Revisions **00** Drawing Scale **1:200**

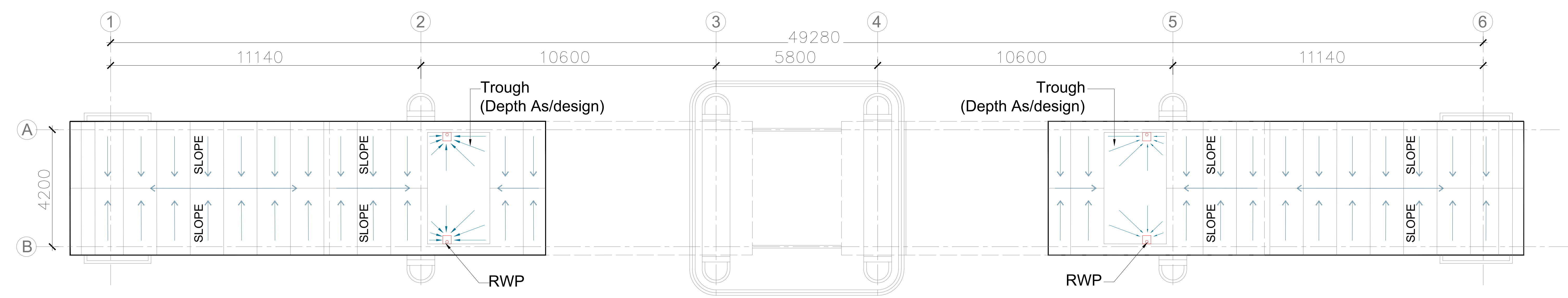
Date **18.07.2023** Sheet Size **A3**

REVISION

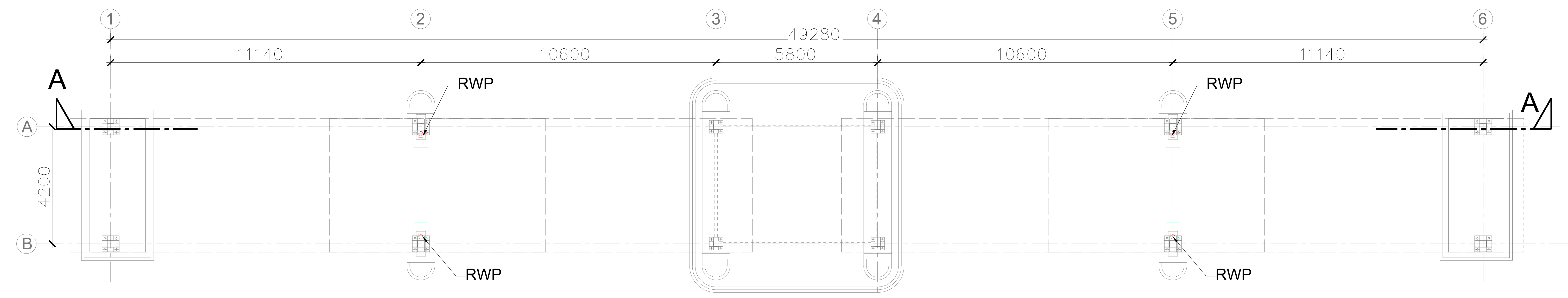
Rev.No.	DESCRIPTION	Designed By	Verified By	Approved By	Date



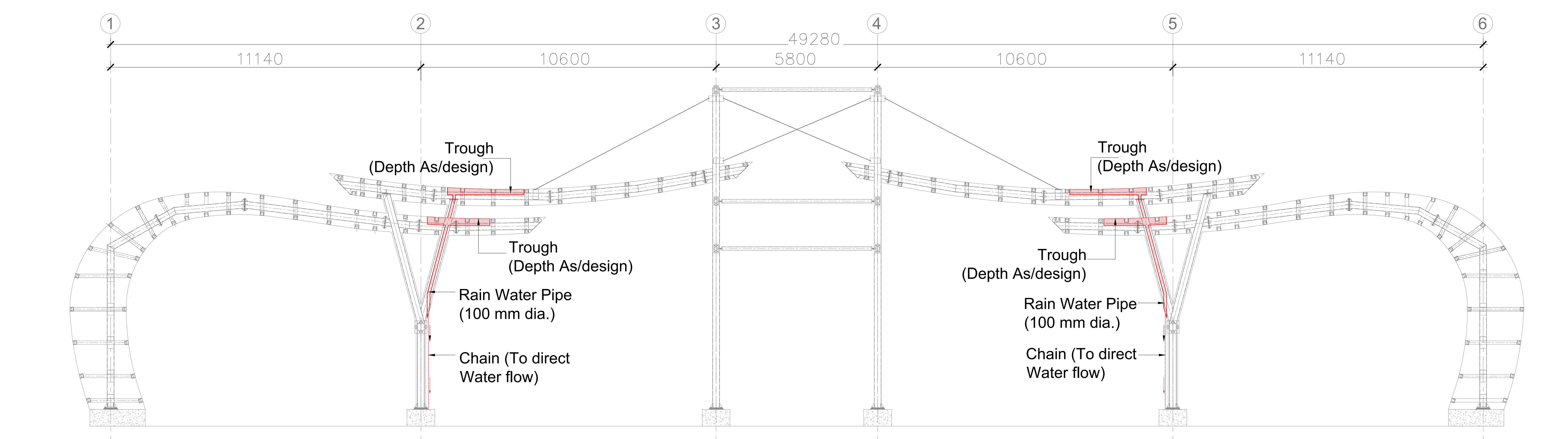
UPPER ROOF LEVEL DRAINAGE PLAN



LOWER ROOF LEVEL DRAINAGE PLAN



GROUND FLOOR LEVEL DRAINAGE PLAN



SECTION AA


NOTE: RWP PLACED ON THE INTERNAL SIDE OF THE Y-SHAPED COLUMN

KEY PLAN :-

- NOTES:-
- 1 ALL DIMENSION IN MILLIMETERS.
 - 2 DIMENSIONS ARE TO BE READ AND NOT MEASURED.
 - 3 DRAWING IS TO BE READ IN CONJUNCTION WITH RELEVANT STR./SERVICES DRAWING.
 - 4 ANY DISCREPANCY IN DRAWING IS TO BE REPORTED TO ARISE DESIGN TEAM IMMEDIATELY.

Project Name **WELCOME GATE**

Project Company **POINT NOIRE SEZ, ROC** 

Design **ARISE IIP**
A-702-707, Tower A, Digital Greens, Golf Course Extension, Gurugram, Haryana India.
www.ariseiip.com 

Consultant - 1

Site Contractor

Drawing Title **STORM WATER DRAINAGE PLAN & SECTION**

CONCEPT DESIGN	DESIGN DEVELOPMENT	TENDER DRAWING	FOR CONSTRUCTION	AS BUILT

Drawing Number **ARISE IIP/PICP/PN/DD/WG/PL-01**

Number of Revisions **00** Drawing Scale **1:200**

Date **18.07.2023** Sheet Size **A3**

REVISION					
Rev.No.	DESCRIPTION	Designed By	Verified By	Approved By	Date