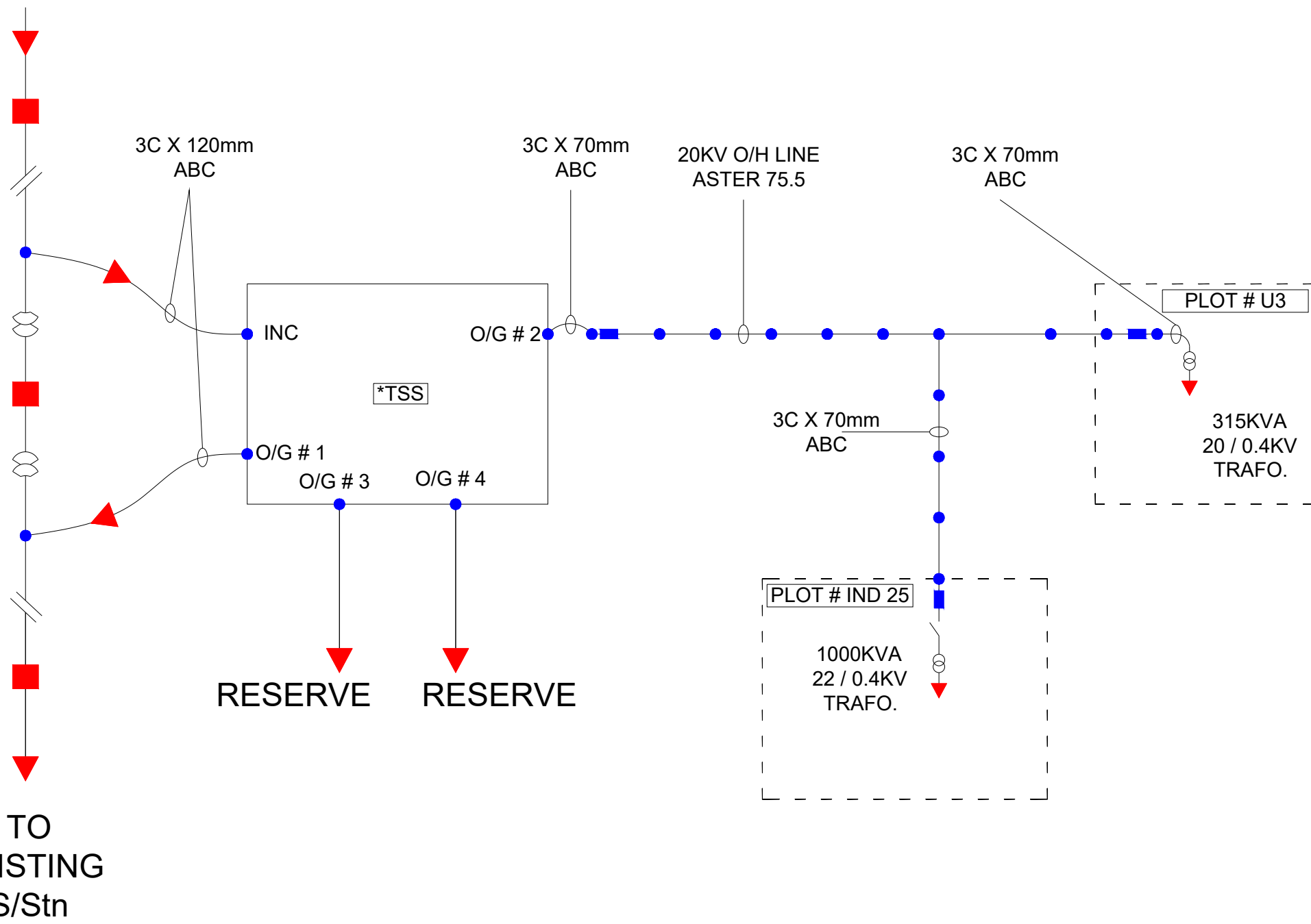


## 20KV TEMP POWER SUPPLY PLAN SCHEMATIC DRAWING

20kv SUPPLY  
ELECT BOARD



Project Name					POINT NOIRE SEZ, ROC				
Project Company									
Design					ARISE <small>A-702-707, Tower A, Digital Greens, Golf Course                  Extension, Gurugram, Haryana India.                  www.ariselip.com</small>				
Drawing Title					<b>20KV TEMP POWER SUPPLY PLAN                  SCHEMATIC DRAWING</b>				
CONCEPT DESIGN	DESIGN DEVELOPMENT	TENDER DRAWING	FOR CONSTRUCTION	AS BUILT					
Drawing Number					ARISE IIP/ROC/PN/DD/EL-02				
Number of Revisions			Drawing Scale						
Date			Sheet Size						
REVISION									
Rev.No.	DESCRIPTION	Designed By	Verified By	Approved By	Date				