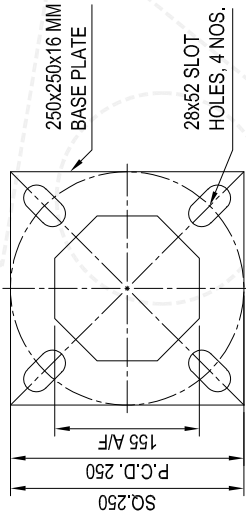
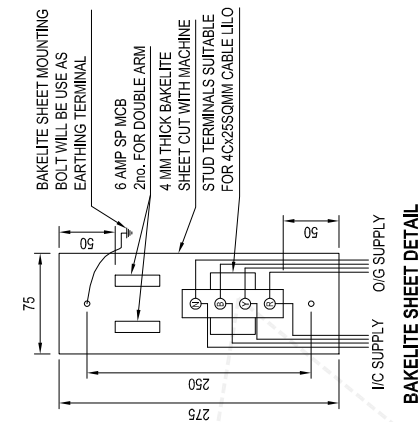


NOTES :-

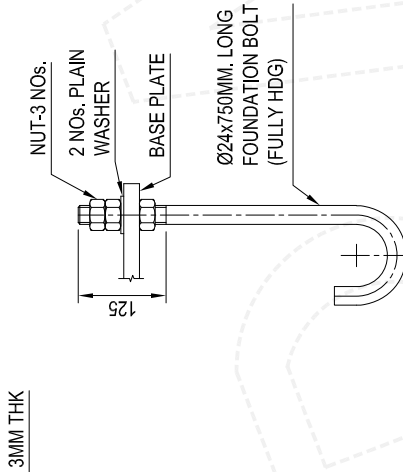
1. ALL DIMENSIONS ARE IN M.M.
2. DESIGN STANDARD BS EN 40-3-1&3
3. DESIGN CRITERIA :
 - 3.1. BASIC WIND SPEED - 50 M/SEC.
 - 3.2. DESIGN LIFE - 25 YEARS.
 - 3.3. TERRAIN CATEGORY - 2
 - 3.4. TOPOGRAPHY - FLAT
4. MATERIALS :
 - 4.1. SHAFT : HOT ROLLED STEEL PLATE CONFORM TO BS EN 10025 OR EQUIVALENT GRADE.
 - 4.2. FLANGE/GUSSETS/DOOR STIFFENER : AS PER BS EN 10025 OR EQUIVALENT GRADE.
 - 4.3. FOUNDATION BOLTS : EN-8 GRADE
5. FINISHING : GALVANIZATION THICKNESS SHALL BE AVERAGE 70 MICRON.
6. TOLERANCES SHALL BE AS PER BS EN 40-2 UNLESS OTHERWISE SPECIFIED IN THE DRAWING
7. MAKE OF THE POLE "BAJAJ".
8. THIS HAS TO BE READ IN CONJUNCTION WITH FINAL OFFER.

BAKELITE SHEET NOTES:-

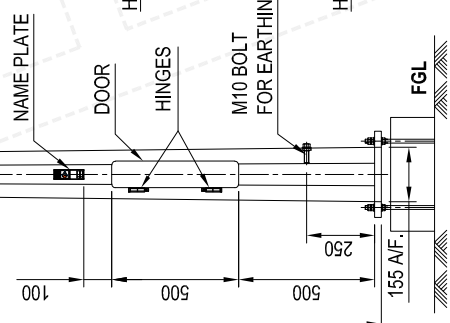
1. 2.5 SQ.MM. CU FLEXIBLE WIRE WITH GREEN INSULATIONS SHALL BE USED FOR EARTHING.
2. WIRING & TERMINATION SHALL BE IN SCOPE OF ERECTION CONTRACTOR



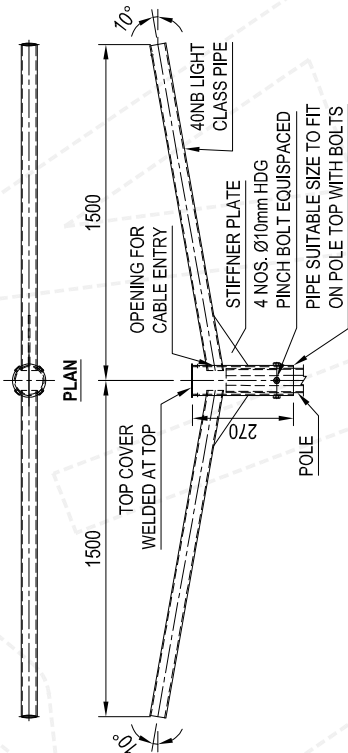
BASE PLATE DETAIL



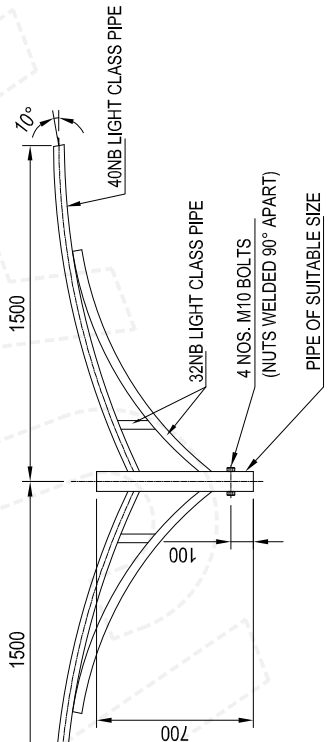
FOUNDATION BOLT DETAIL



HINGE ARRANGEMENT DETAIL "Z"



DETAIL FOR DOUBLE ARM BRACKET



DETAIL FOR DOUBLE ARM DECORATIVE BRACKET

TOLERANCES :-	
DIAMETERS AF	± 2.5 %
POLE TOTAL LENGTH	± 1.2 %
POLE STRAIGHTNESS	± 0.3 %

CLIENT	PLATEFORMES INDUSTRIELLES DU CONGO POINTE-NOIRE SAU		
PROJECT	ZONE ECONOMIQUE SPECIALE DE POINTE-NOIRE		
CONTRACTOR	*****		
MANUFACTURER	*****		
TITLE	INDICATIVE GENERAL ARRANGEMENT DRAWING OF 10M OCTAGONAL POLE WITH DOUBLE ARM STANDARD & DECORATIVE BRACKET		
DATE	17.10.2023	DRG. NO.	
PROJECT CODE	MTP	DESIGN CODE	57270
DESIGNED BY	SK	CHD BY	KN
CHECKED BY	SA	APPROVED BY	SA
SHEET NO.	01 OF 01	PROJECT CODE	*****
REV. NO.	01	DESIGN CODE	*****
		PROJECT CODE	*****
		DESIGN CODE	*****
		PROJECT CODE	*****
		DESIGN CODE	*****



INDICATIVE GENERAL ARRANGEMENT DRAWING OF 10M OCTAGONAL POLE WITH DOUBLE ARM STANDARD & DECORATIVE BRACKET			
DATE	17.10.2023	DRG. NO.	
PROJECT CODE	MTP	DESIGN CODE	57270
DESIGNED BY	SK	CHD BY	KN
CHECKED BY	SA	APPROVED BY	SA
SHEET NO.	01 OF 01	PROJECT CODE	*****
REV. NO.	01	DESIGN CODE	*****
		PROJECT CODE	*****
		DESIGN CODE	*****
		PROJECT CODE	*****
		DESIGN CODE	*****

This drawing is the property of "BAJAJ ELECTRICALS LTD." & must be returned on request. It is submitted as confidential information in connection with enquiry, tenders, orders or contracts. It is not to be used for any other purpose or order nor may it be re-copied or lent without our authority in writing.

REV. NO.	01	DATE	02-11-2023	REVISION DESCRIPTION	REVISOR	CHD	APPRD
REV. NO.	01	DATE	02-11-2023	REVISION DESCRIPTION	REVISOR	CHD	APPRD
REV. NO.	01	DATE	02-11-2023	REVISION DESCRIPTION	REVISOR	CHD	APPRD
REV. NO.	01	DATE	02-11-2023	REVISION DESCRIPTION	REVISOR	CHD	APPRD