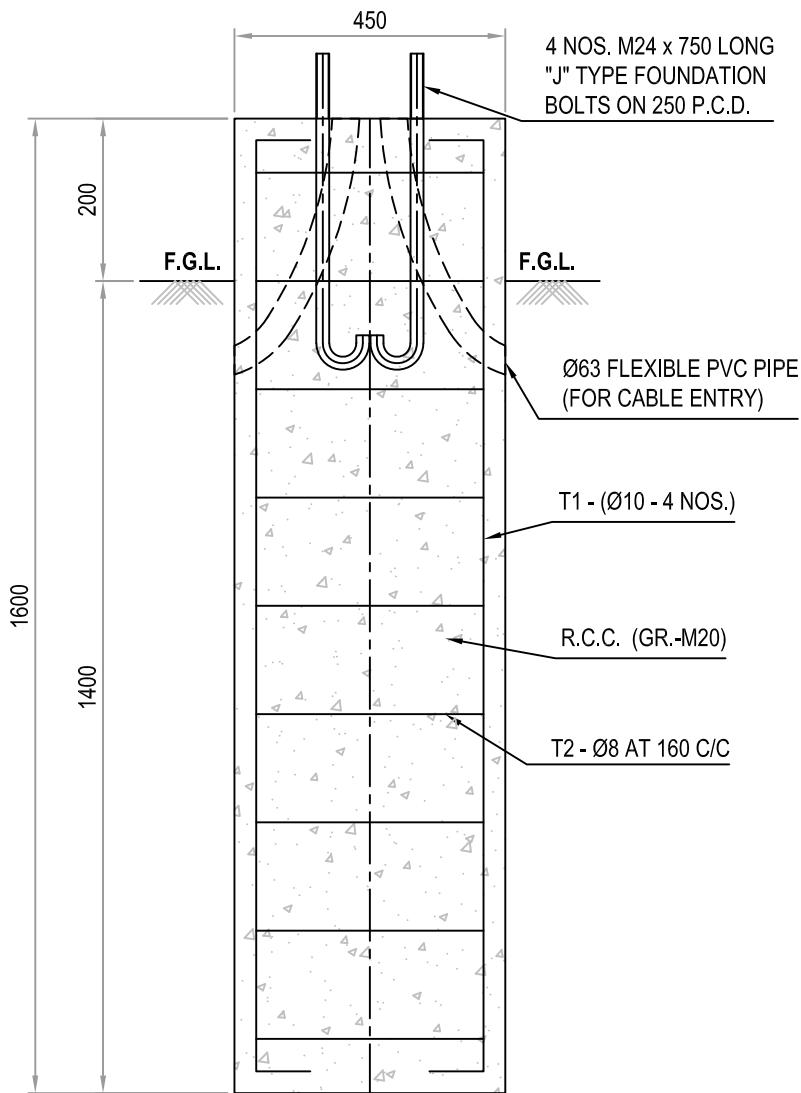
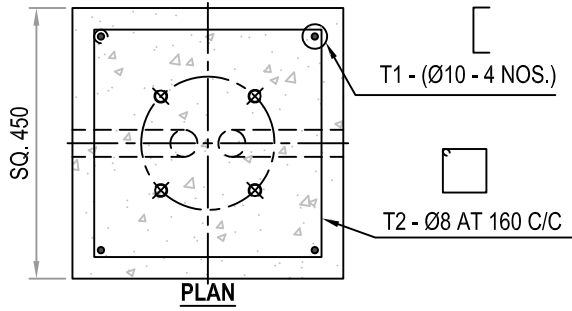


**FOUNDATION NOTES :-**

1. ASSUMED S.B.C. - 10 T/M<sup>2</sup> (MINIMUM)
2. GRADE OF R.C.C. - M20
3. GRADE OF STEEL REINFORCEMENT Fe 415 / Fe 500
4. CLEAR COVER TO REINFORCEMENT - 50 MM
5. CONCRETE VIBRATED
6. USE SHUTTERING



**DETAIL OF CIVIL FOUNDATION**

REV NO		DATE	REVISION DESCRIPTION	DRWN	CHKD	APPRD	APPRD BY	TITLE	PROJECT CODE	DRG. NO.	DATE
								FOUNDATION DRAWING OF 10M OCTAGONAL POLE FOR 10M OP - 1.5M SA& DA + 0.5M CCTV BKT			12.01.2024
											SHT 01 OF 01
											REV. NO. 00