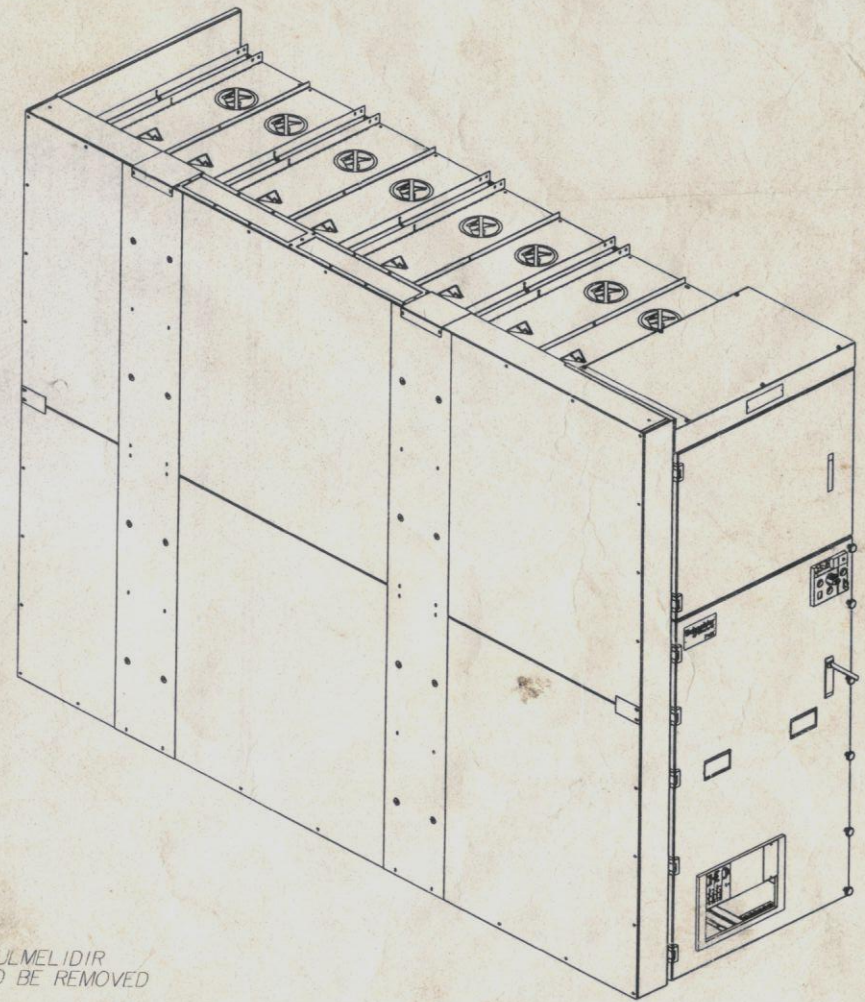


Les informations techniques contenues dans ce document sont la propriété exclusive de Schneider Electric Industries SA et ne peuvent être utilisées ou divulguées à des tiers sans l'autorisation écrite préalable de Schneider Electric Industries SA and may neither be used nor disclosed without its prior written consent.

Derinlik Deep	Left/ Right	BOYA SARTNAME REFERANSI PAINT SPECIFICATION REFERENCE	BOM	kasa kiti casing kit	temel kiti structure kit	montaj kiti assembly kit
3070	Left	AAS20122T0	ESY0001FB	03404714FB	03404713FB	sabitleme fastening 51164439FG
		AAS20124T0	ESY0001FC	03404714FC		
	Right	AAS20122T0	ESY0002FB	03404714FB	03404713FA	
		AAS20124T0	ESY0002FC	03404714FC		
3220	Left	AAS20122T0	ESY0003FB	03404715FB	03404713FD	montaj resmi assembly drawing 03404400F0
		AAS20124T0	ESY0003FC	03404715FC		
	Right	AAS20122T0	ESY0004FB	03404715FB	03404713FC	
		AAS20124T0	ESY0004FC	03404715FC		



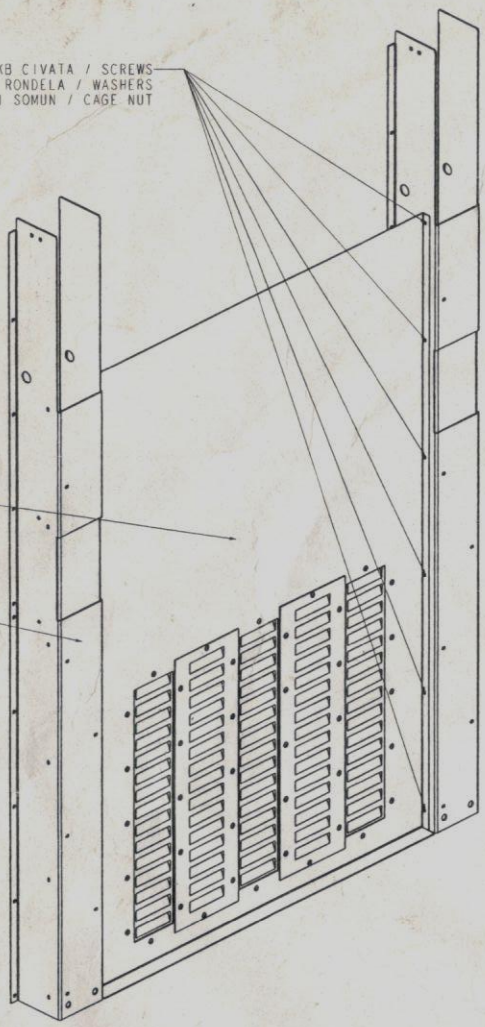
YAN KAPAMA SAÇLARININ MONTAJINDAN ÖNCE HÜCRE ARKA KAPAMA SAÇLARI SÖKÜLMELİDİR
 BEFORE ASSEMBLING THE SIDE CLOSING THE REAR PLATES OF THE CUBICLE HAVE TO BE REMOVED

DD	22/11/11	DN01528	Yeniden düzenlendi. / Revised.	MAA	SD1	VOS	
CI	11/09/09	DN01420	Proengineer transfer.	CESU	EMO	VOS	
CO	05/08/08		Add the screw note (page3)	LEFIEF	PASQUIER		
Ind	Date	Note appl	Modification/modification	Nom/name	Visa	Nom/name	Visa
rev	date	appl.memo		Dessine/drawn	Verifie/checked	Approuve/approved	Archiv. micro-filmed

Ech. scale	Proj. project	F400NL
	Dossier folder	
Schneider Electric		Code diffusion distribution code
		Unité/departement
		CE/SET
		IA IP4X YAN KAPAMA MONTAJI IA IP4X SIDE CLOSING ASSEMBLY
		Released for Manufacturing Printed on 2015/06/29
		Ind/rev Folio/sheet DO 1/8

This information is for reference only. It is not intended to be used for design or manufacturing purposes. Schneider Electric reserves the right to change specifications without notice.

12 X M6X12 AKB CIVATA / SCREWS
 12 X M6 KONTAK RONDELA / WASHERS
 12 X M6 KAFESLI SOMUN / CAGE NUT



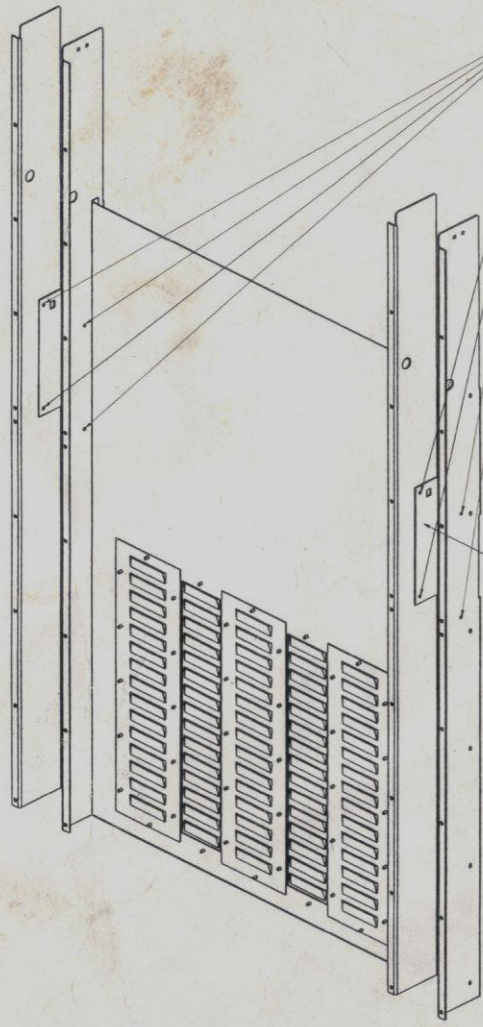
51310623F0
 03404258F0

Pano sonu sol taraf veya topraklama
 ayircisi olmayan sag taraf hucreler icin
 On left or on right with a cubicle
 without earthing switch

8X MBX20 AKB CIVATA / SCREWS
 16X M8 KONTAK RONDELA / WASHERS
 8X M8 SOMUN / NUTS

Pano sonu sag taraf topraklama
 ayircisi olan hucreler icin
 On right with a cubicle
 with earthing switch

4X MBX20 AKB CIVATA / SCREWS
 8X M8 KONTAK RONDELA / WASHERS
 4X M8 SOMUN / NUTS



51310710F0

3	51310710F0	2
2	51310623F0	1
1	03404258F0	2
NO	REFERANS / REFERENCE	ADET QTY

Ind rev	Date date	Note appl appl, memo	Modification/modification



Ech.
scale 0,08

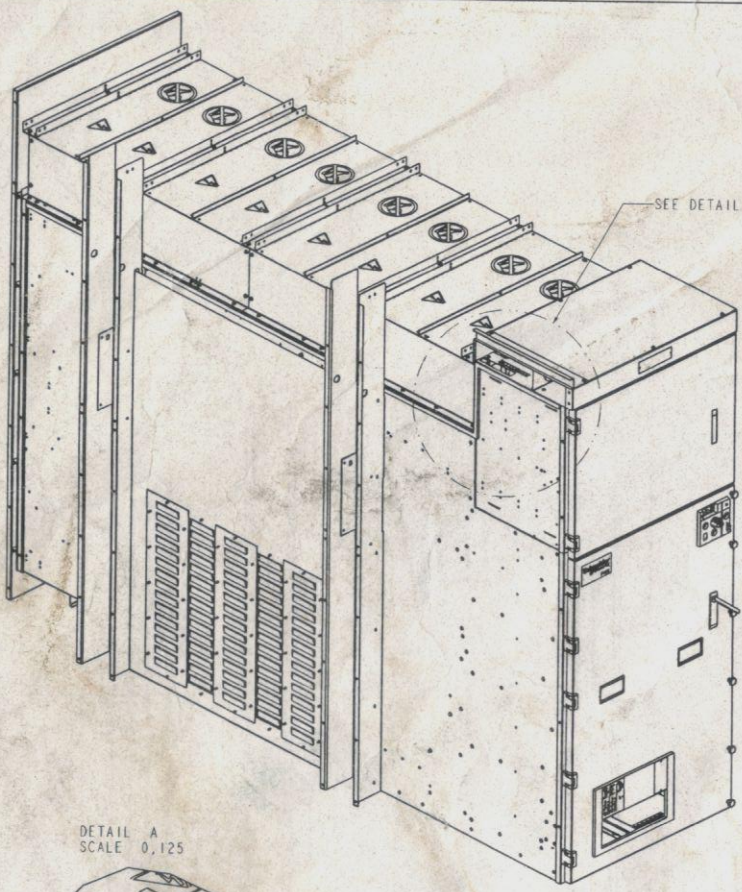
IA IP4X YAN KAPAMA MONTAJI
 IA IP4X SIDE CLOSING ASSEMBLY

Released for Manufacturing
 Printed on 2015/06/29

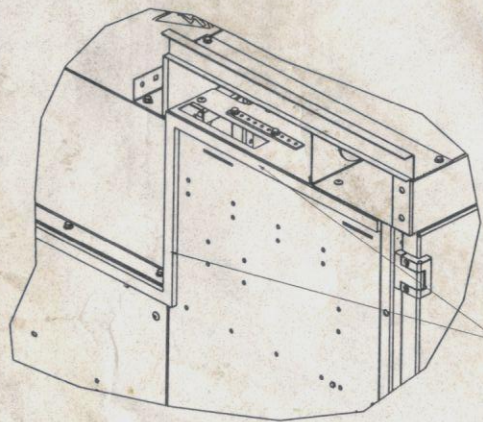
ind/rev Folio/sheet
 D0 2/8

Original format A3

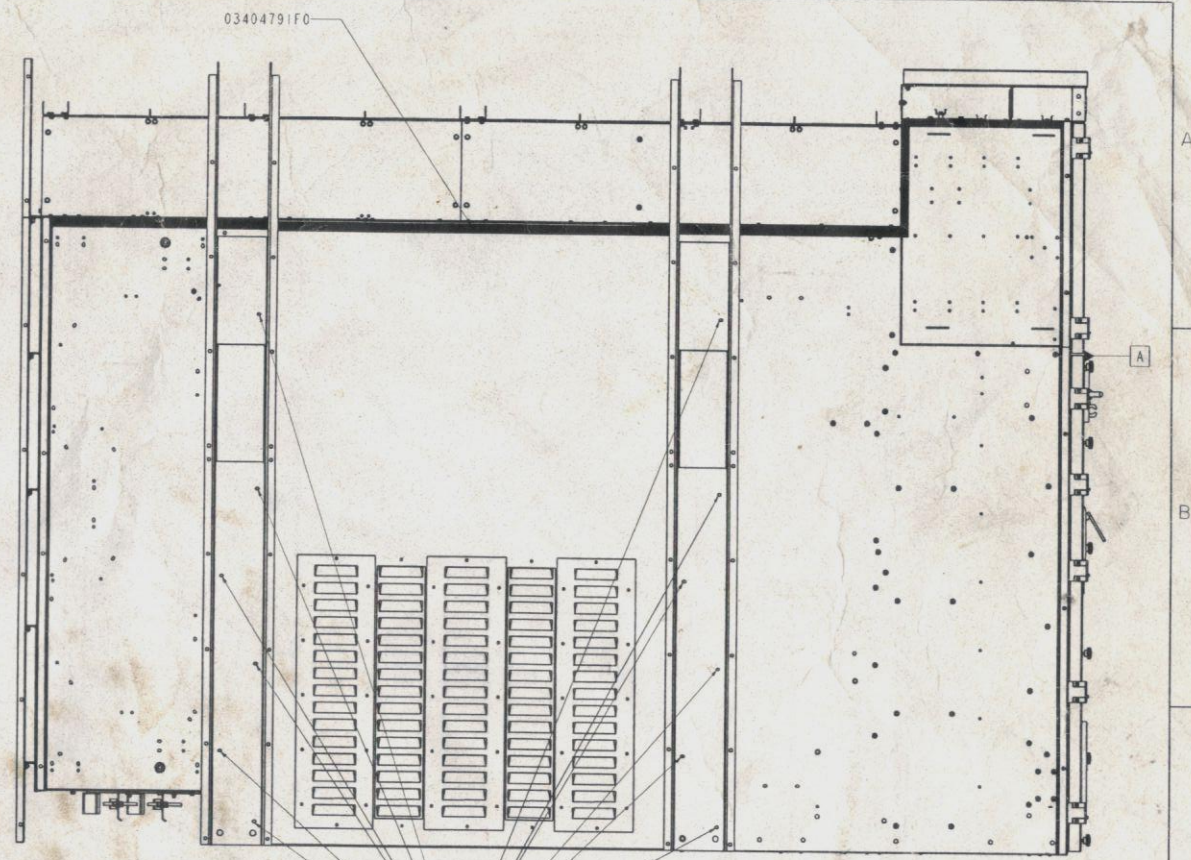
All technical information contained in this document is the exclusive property of Schneider Electric Industries SA and may neither be used nor disclosed without its prior written consent.
 Toutes les informations techniques contenues dans ce document sont la propriété exclusive de Schneider Electric Industries SA et ne peuvent être utilisées ou divulguées à des tiers sans son accord écrit.



DETAIL A
SCALE 0,125



contayı kenarlara yerleştirin
plate the gasket against the edges



12X M6X12 ANB CIVATA / SCREWS / ZORUNLU / IMPERATIVE
 M6X16 CIVATA KULLANMAYINIZ / SCREWS DO NOT USE
 12X M6 KONTAK RONDELA / WASHERS
 12X M6 KAFESLİ SOMUN / CAGE NUTS

Ind rev	Date date	Note appl appl memo	Modification/modification



Ech.
scale 0,07

1A IP4X YAN KAPAMA MONTAJI
1A IP4X SIDE CLOSING ASSEMBLY

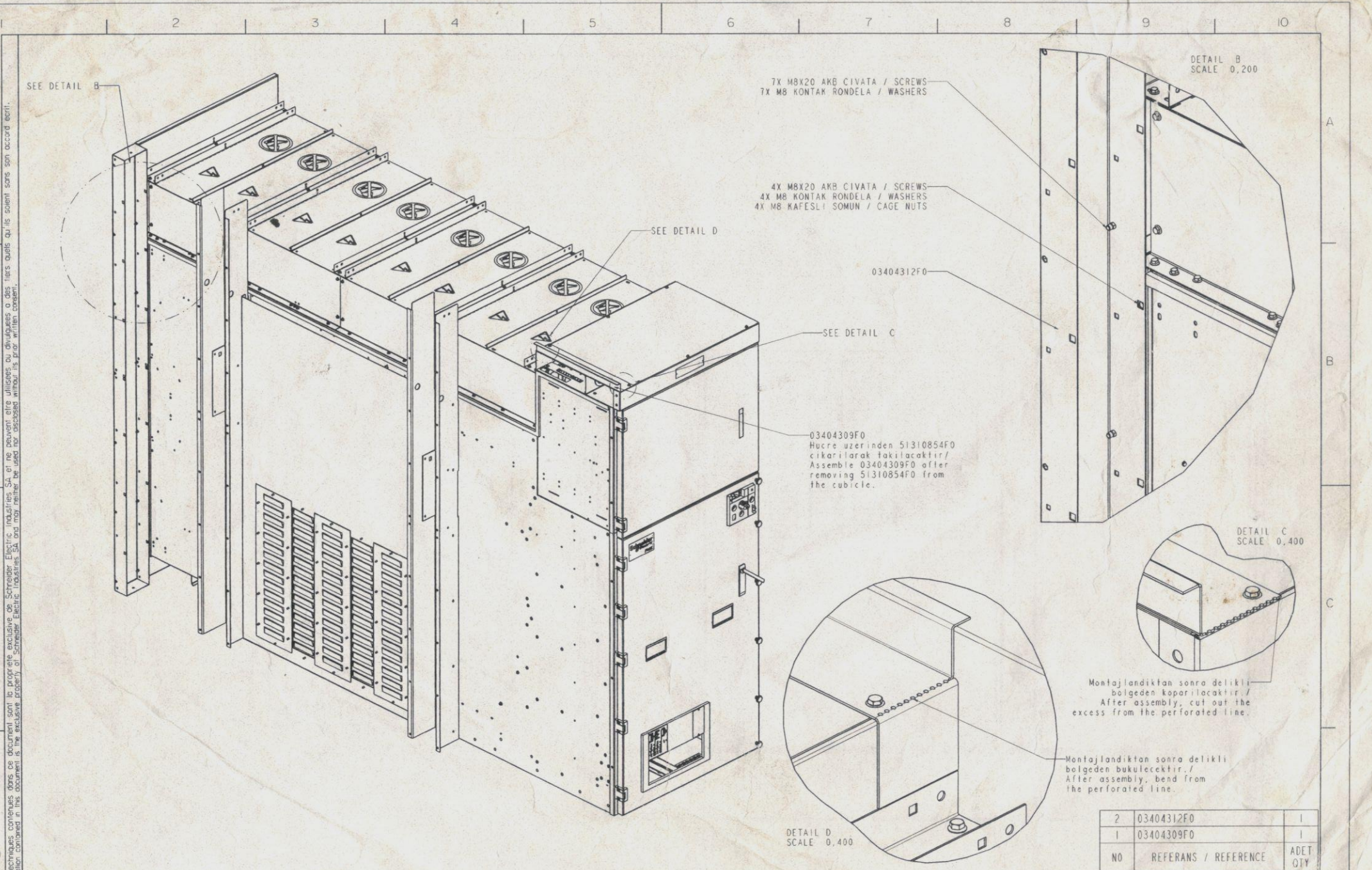
Released for Manufacturing
Printed on 2016/06/29

I	03404791F0	I
NO	REFERANS / REFERENCE	ADET QTY

Ind/rev Folia/sheet
DO 3/8

Original format A3

Les informations techniques contenues dans ce document sont la propriété exclusive de Schneider Electric Industries SA et ne peuvent être utilisées ou divulguées ou des tiers quels qu'ils soient sans son accord écrit.
 All technical information contained in this document is the exclusive property of Schneider Electric Industries SA and may neither be used nor disclosed without its prior written consent.



2	03404312F0	1
1	03404309F0	1
NO	REFERANS / REFERENCE	ADET QTY



Ech. scale 0,07

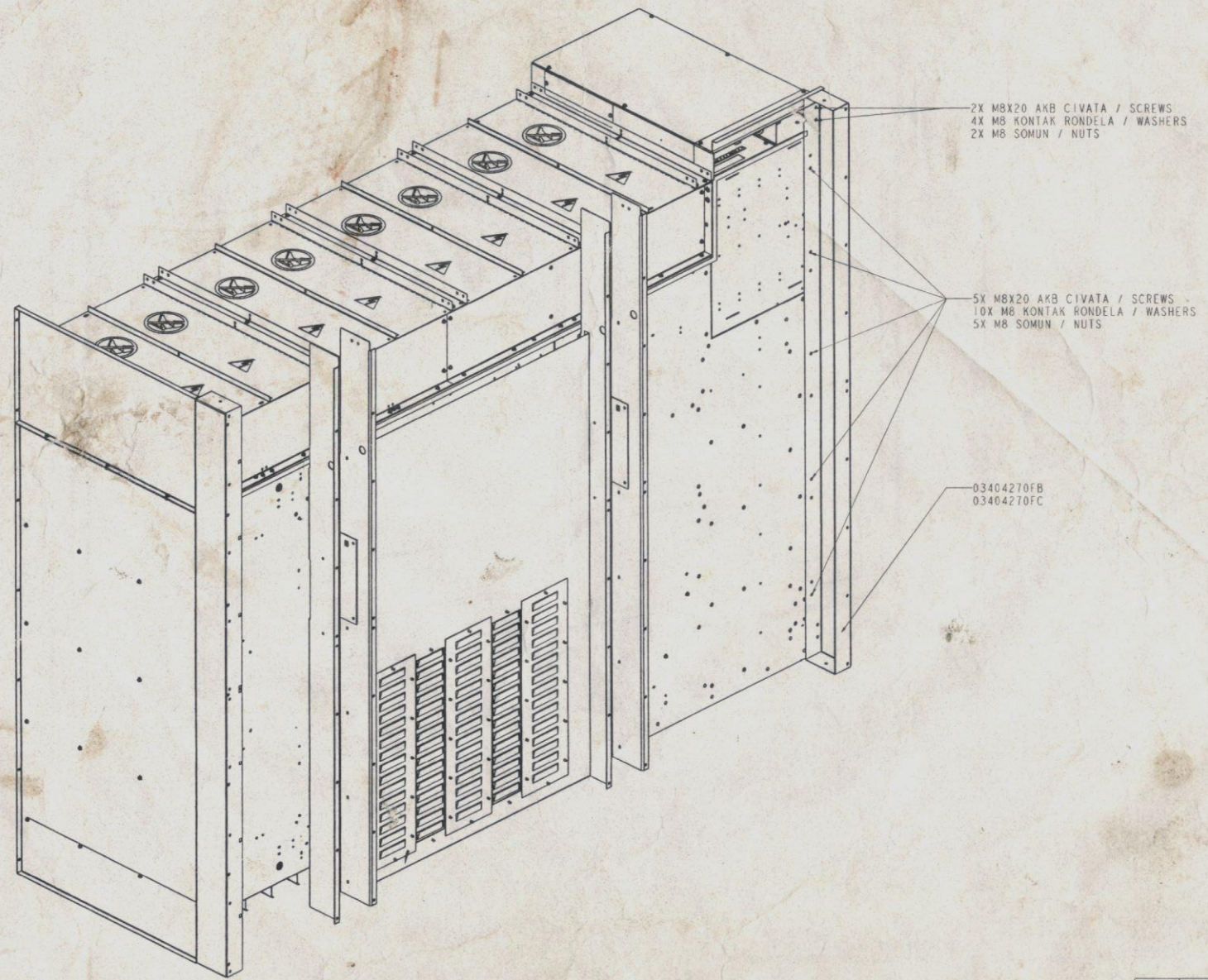
IA IP4X YAN KAPAMA MONTAJI
IA IP4X SIDE CLOSING ASSEMBLY

Released for Manufacturing
Printed on 2016/06/29

nd/rev F0 DO 4/8
Folio/sheet

Ind rev	Date	Note appl	Modification/modification

Les informations techniques contenues dans ce document sont la propriété exclusive de Schneider Electric Industries SA, and may neither be used nor disclosed without its prior written consent.
 Les renseignements techniques contenus dans ce document sont la propriété exclusive de Schneider Electric Industries SA, and may neither be used nor disclosed without its prior written consent.



1	03404270FB-FC	1
NO	REFERANS / REFERENCE	ADET QTY



Ech. scale 0,07

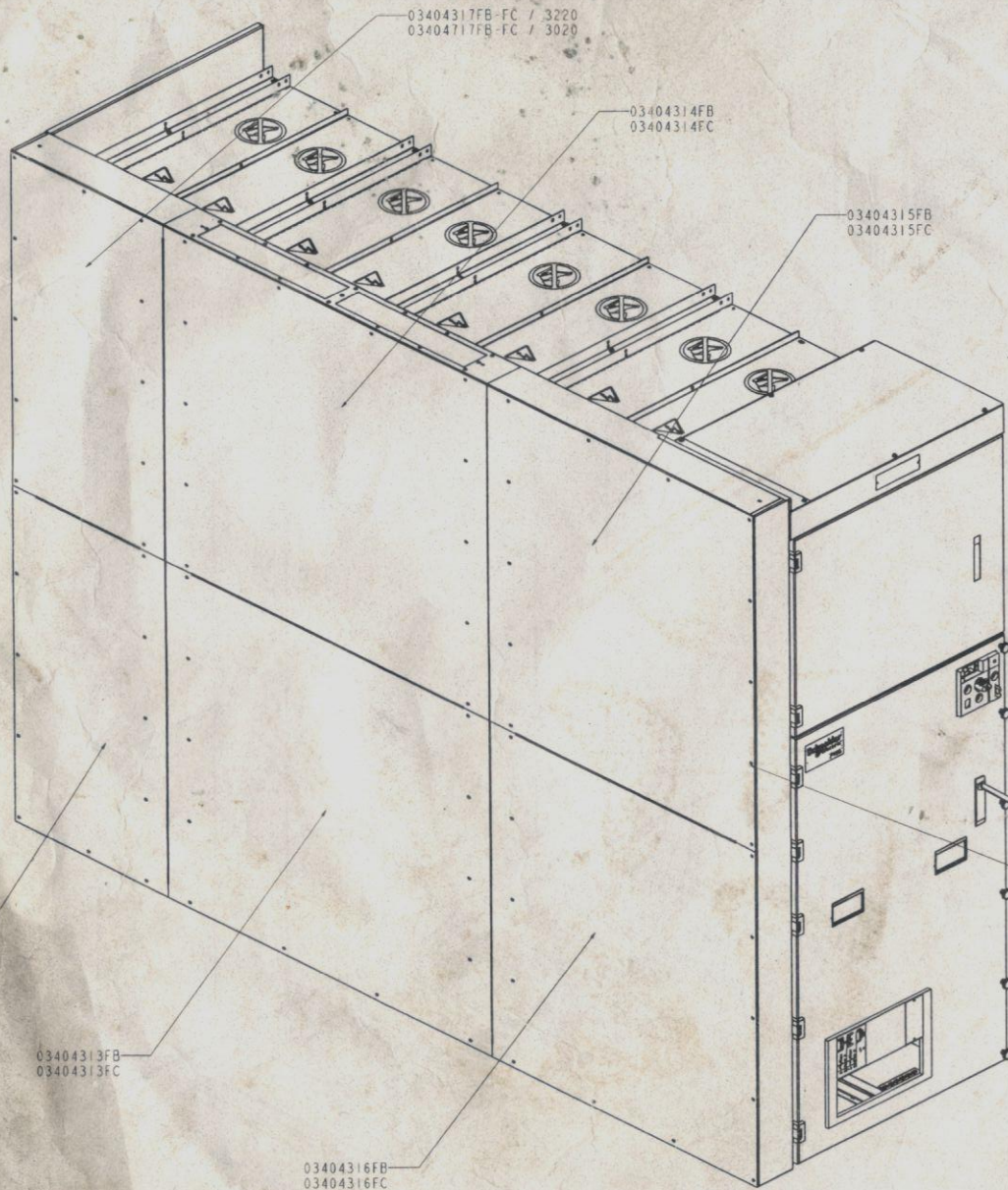
IA-IP4X YAN KAPAMA MONTAJI
IA-IP4X SIDE CLOSING ASSEMBLY



Released for Manufacturing
Printed on 2015/06/29

nd/rev Folia/sheet
DO 5/8

Les informations techniques contenues dans ce document sont la propriété exclusive de Schneider Electric Industries SA et ne peuvent être utilisées ou divulguées sans l'accord écrit de Schneider Electric Industries SA. Les renseignements techniques contenus dans ce document sont la propriété exclusive de Schneider Electric Industries SA and may neither be used nor disclosed without the prior written consent of Schneider Electric Industries SA.



65 X M6X16 AKB CIVATA / SCREWS
 65 X M6 KONTAK RONDELA / WASHERS
 65 X M6 KAFESLI SOMUN / CAGE NUT

6	03404318FB-FC / 3220 03404718FB-FC / 3020	1
5	03404317FB-FC / 3220 03404717FB-FC / 3020	1
4	03404316FB-FC	1
3	03404315FB-FC	1
2	03404314FB-FC	1
1	03404313FB-FC	1
NO	REFERANS / REFERENCE	ADET QTY



Ech. scale 0,07

1A IP4X YAN KAPAMA MONTAJI
1A IP4X SIDE CLOSING ASSEMBLY

Released for Manufacturing
Printed on 2015/06/29

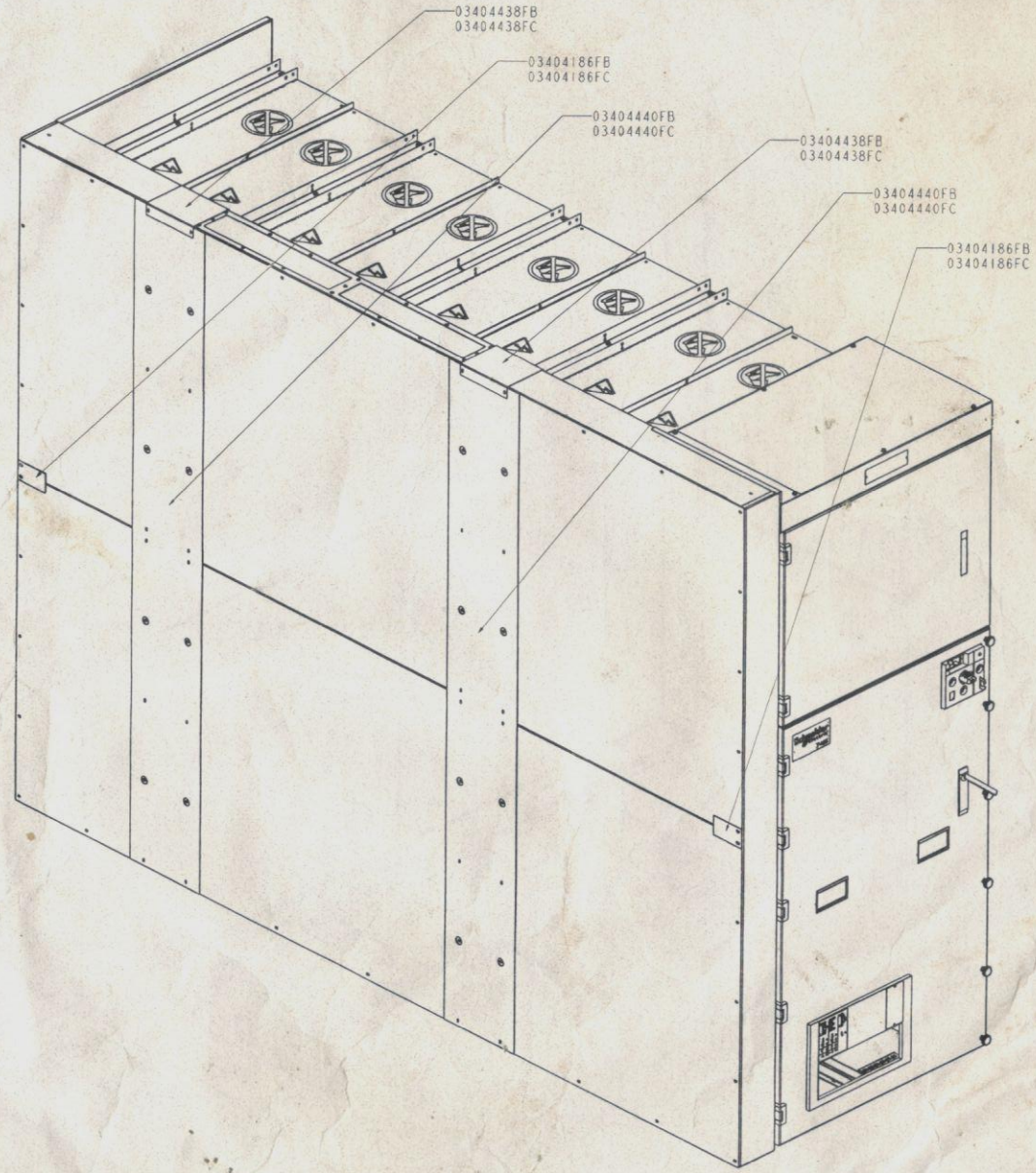
ind/rev Folio/sheet
DO 7/8

Original format A3

Ind	Date	Note appl	Modification/modification

2 3 4 5 6 7 8 9 10

A
C
D



A
B
C

3	03404440FB-FC	2
2	03404438FB-FC	2
1	03404186FB-FC	2
NO	REFERANS / REFERENCE	ADET QTY

Ind	Date	Note appl	Modification/modification



Ech. scale 0,07

1A IP4X YAN KAPAMA MONTAJI
1A IP4X SIDE CLOSING ASSEMBLY

Released for Manufacturing
Printed on 2015/06/29

Ind/rev Folio
D.O 8/8